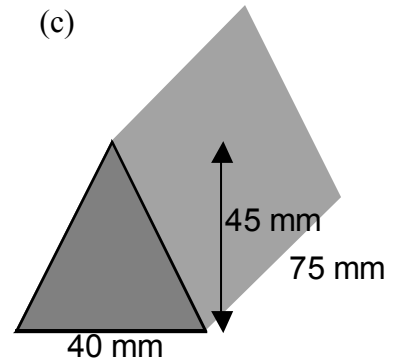
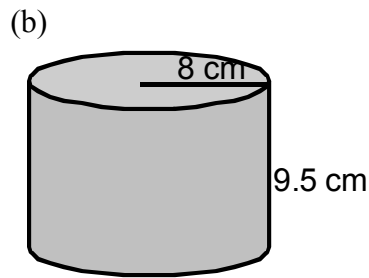
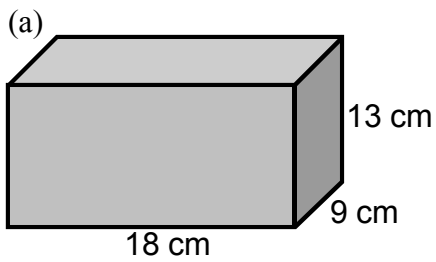
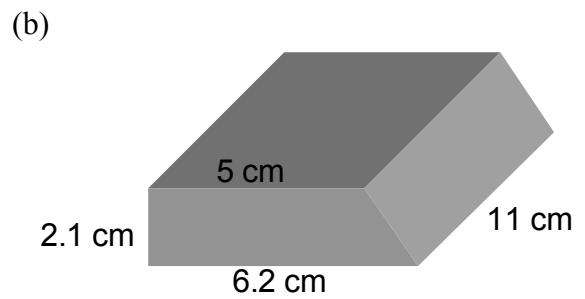
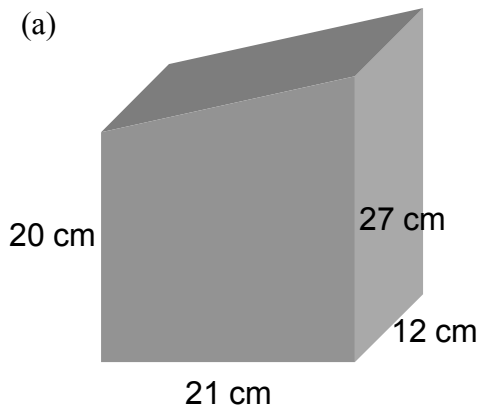


Volume

1. Calculate the volume of each shape below.

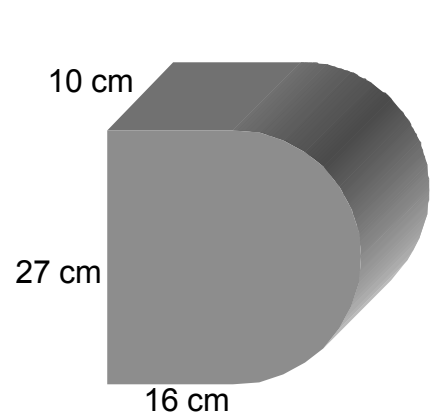
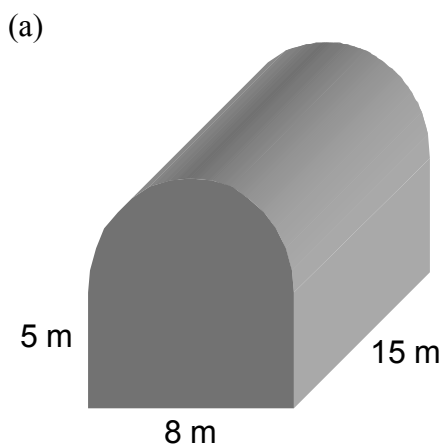


2. The cross-section of each shape below consists of a rectangle and a triangle.



Calculate the volume of each shape.

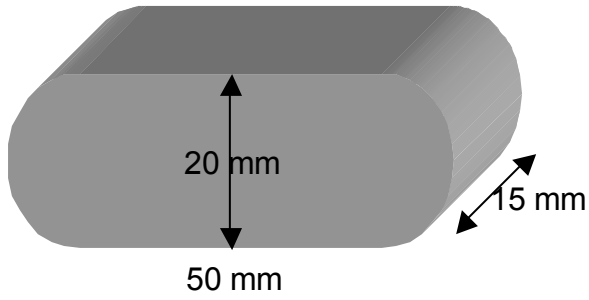
3. Each shape below has a cross-section made of a rectangle and a semi-circle.



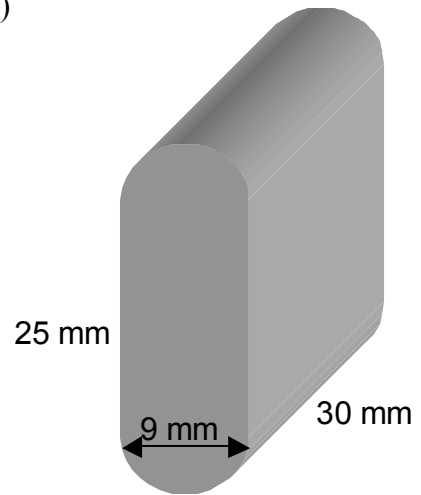
Calculate the volume of each shape.

4. Each cross-section below is made from a rectangle with semi-circular ends. Find the volume.

(a)

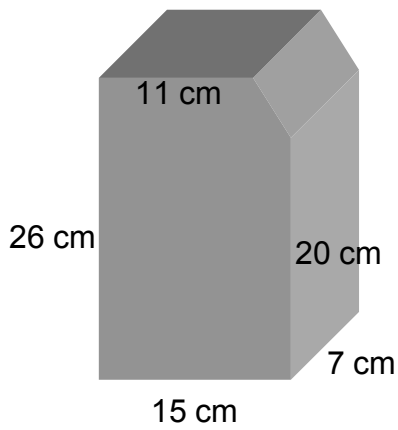


(b)

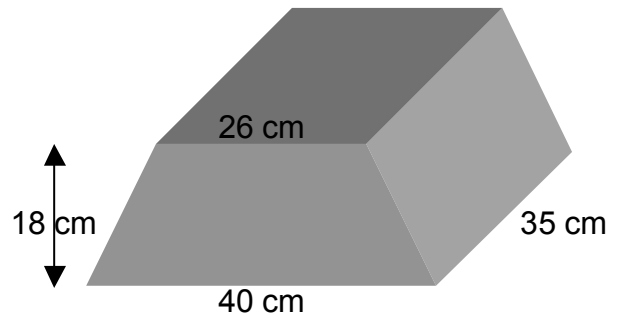


5. Calculate the volume of each shape below.

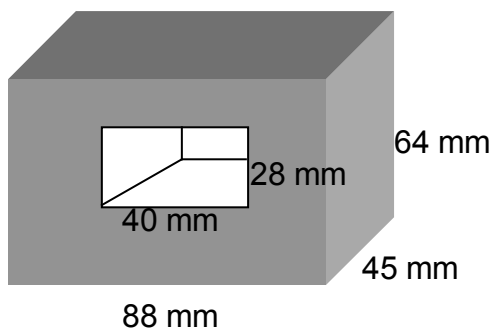
(a)



(b)



(c)



(d)

