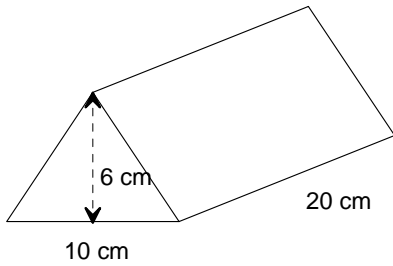
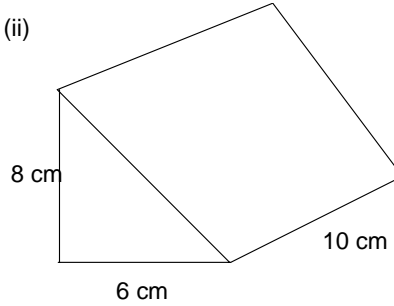


Volume of a Prism = Area Cross-section \times Length
 Area $\square = L \times W$ Area $\triangle = \frac{1}{2} b \times h$
 Area $\square = b \times h$ Area Trapezium = $\frac{1}{2}(a + b) \times h$ Area $O = \pi \times r^2$

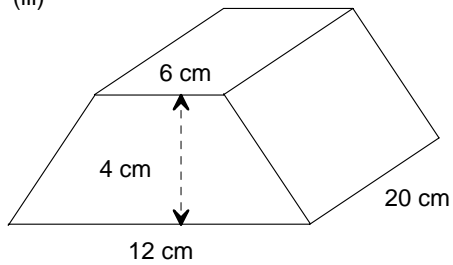
(i)



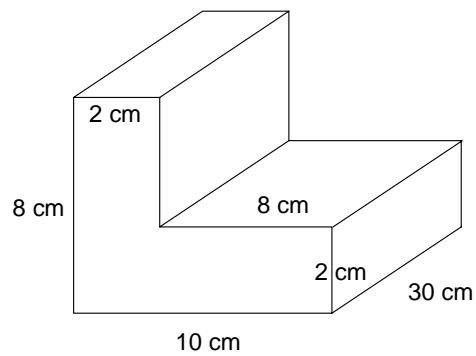
(ii)



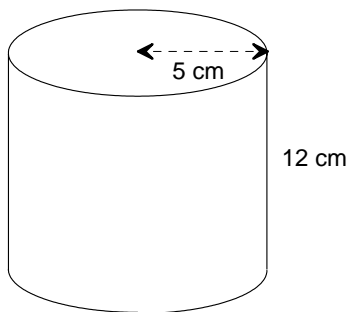
(iii)



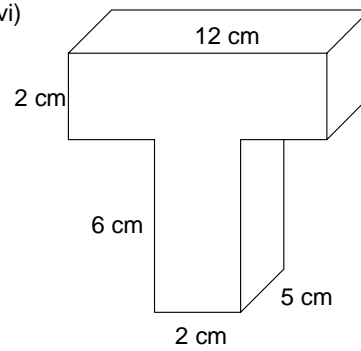
(iv)



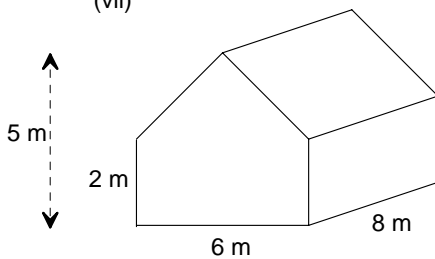
(v)



(vi)



(vii)



(viii)

